



Bench Top Extraction Kits



The Bench Top extraction kits include FX Original extraction arm(s) with hood or nozzle, N3 fan with speed control and standard filter (particle, HEPA and gas), hose(s), connection details, and table bracket(s).



Kit	Description arm(s)	Max. airflow, m ³ /h	V / Electric plug	Frequency, Hz	Power, W	Arm Ø, mm	Arm length, mm	Hose Ø, mm	Hose length, m	Temperature extracted air, °C	Weight complete kit, kg	Part no.
500	1 x FX32	45	220-240 / EUR	50/60	170	32	850	45	3.0	-10 to +70	11	70510634
500	1 x FX32	45	220-240 / UK	50/60	170	32	850	45	3.0	-10 to +70	11	70510734
1000	2 x FX32	42	220-240 / EUR	50/60	170	32	850	45	3.0	-10 to +70	13	70511134
1000	2 x FX32	42	220-240 / UK	50/60	170	32	850	45	3.0	-10 to +70	13	70511234
1500	3 x FX32	38	220-240 / EUR	50/60	170	32	850	45	3.0	-10 to +70	15	70511634
1500	3 x FX32	38	220-240 / UK	50/60	170	32	850	45	3.0	-10 to +70	15	70511734
2000	1 x FX50	100	220-240 / EUR	50/60	170	50	1100	75	3.0	-10 to +70	14	70505044
2000	1 x FX50	100	220-240 / UK	50/60	170	50	1100	75	3.0	-10 to +70	14	70505144
2500	2 x FX50	75	220-240 / EUR	50/60	170	50	1100	75	3.0	-10 to +70	17	70505644
2500	2 x FX50	75	220-240 / UK	50/60	170	50	1100	75	3.0	-10 to +70	17	70505744
3000	1 x FX75	150	220-240 / EUR	50/60	170	75	1100	100	3.0	-10 to +70	15	70506244
3000	1 x FX75	150	220-240 / UK	50/60	170	75	1100	100	3.0	-10 to +70	15	70506344

**Extraction Kit 500**

1 x arm, Ø32 mm (1¼ inch)
1 x dome hood 1/2

**Extraction Kit 1000**

2 x arms, Ø32 mm (1¼ inch)
2 x dome hood 1/2

**Extraction Kit 1500**

3 x arms, Ø32 mm (1¼ inch)
3 x dome hood 1/2

**Extraction Kit 2000**

1 x arm, Ø50 mm (2 inch)
1 x combination hood

**Extraction Kit 2500**

2 x arms Ø50 mm (2 inch)
2 x mini hood

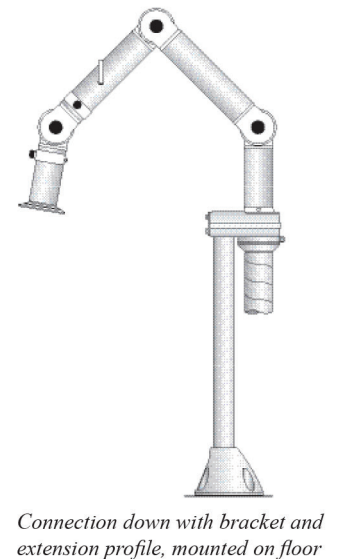
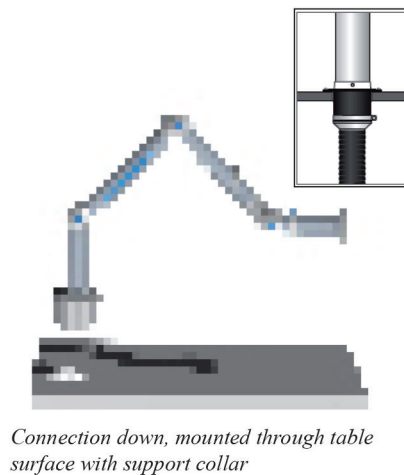
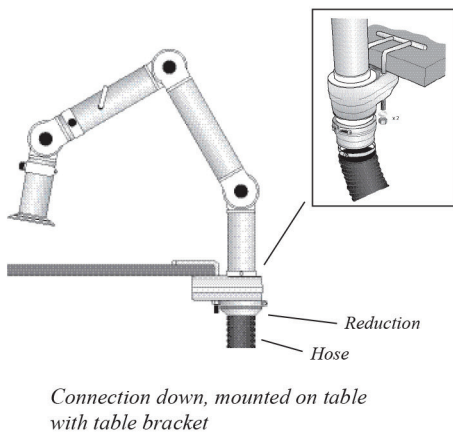
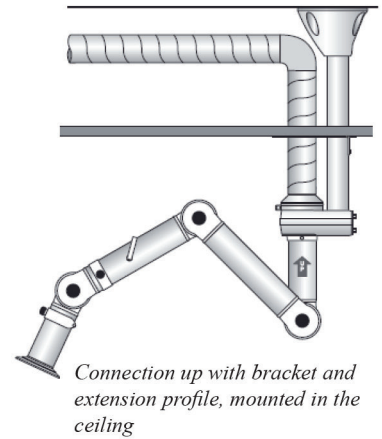
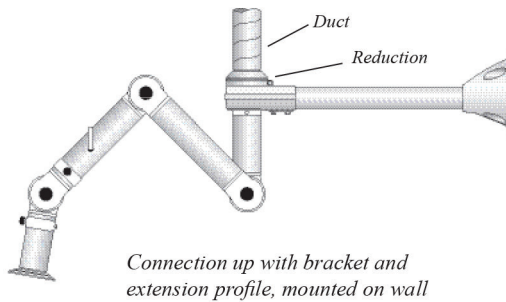
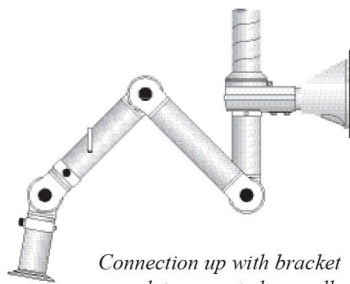
**Extraction Kit 3000**

1 x arm, Ø75 mm (3 inch)
1 x mini hood

Technical Description

FX Extractor arms - Accessories

Mounting examples of the FX Extractor arms



Hoods

